

CONSTRUCTION

Foundation Drilling Cutting Tools



Foundation Drilling

At Kennametal, our commitment to your most demanding foundation drilling applications is unparalleled. We have a long history of helping you achieve success and a tradition of exceeding your expectations.

We remain focused on redefining and advancing the earthworks industries through our world-class solutions — delivered by professionals who are committed to the health and profitability of your enterprise.

MISSION Kennametal delivers productivity to customers seeking peak performance in demanding environments by providing innovative custom and standard wear-resistant solutions, enabled through our advanced materials sciences, application knowledge, and commitment to a sustainable environment.





Table of Contents

| | |
|---------------------------------|-------|
| Quick Change | 5-7 |
| Wall Cutters | 7-9 |
| Welding Bars | 10-16 |
| Flat Tools | 17 |
| Modular Pilot Drills | 17-19 |
| Informational Icons Guide | 19 |



The foundation for a successful drilling operation is built on rock-steady reliability and progress. Kennametal, the world's leading tooling and services provider, proudly introduces SOLID, our solution-focused platform that yields new levels of performance and productivity. SOLID-engineered tools deliver in the most challenging conditions. For unmatched quality, value, innovation, and application expertise, make Kennametal your SOLID choice.

Safety and Environment

Kennametal's goal of 100% safe extends far beyond our global operations to reach customers at their work sites, encouraging a community that values the implementation of safety procedures.

Kennametal ensures safety compliance by thoroughly testing and inspecting products and confirming that vehicles are appropriately equipped with safety equipment. Safety training is readily available to employees and customers alike. Whether in the office or at a customer's site, our employees drive a culture of 100% safe.



We protect our planet with a commitment to reduce the global impact Kennametal and our customers have on the environment — establishing effective sustainability practices and policies within the construction industry.

Helping customers meet their overall goals is clearly an objective of Kennametal's sustainability program. We focus on products that provide customers with lower fuel costs, reduced packaging requirements, lower transportation costs, and improved product performance. Kennametal continues to evaluate improved packaging materials — such as biodegradable options. By helping customers address their need to become more efficient, we make ourselves more sustainable.





KF Series • An Entirely New Platform for Foundation Drilling

Kennametal tools are the toughest, strongest, and longest lasting in the construction industry. Our cutting tools are renowned for their exceptional durability and wear resistance.

The foundation for a successful drilling operation is built on rock-solid reliability and progress. Kennametal, the world's leading tooling and services provider, proudly introduces a new platform of products — the KF Series. The KF Series covers the majority of core barrel applications.

Features and Benefits

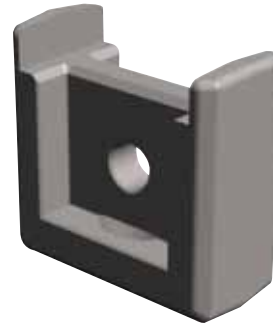
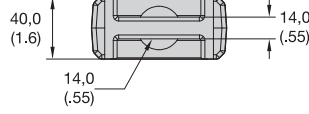
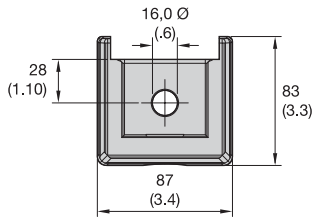
Complete Portfolio and Offering

- NEW KF Series is complementary to existing portfolio of foundation drilling tools.
- Local technical support and inventory.

Superior Performance

- Ideal anywhere foundation drilling is being done, especially deep foundation of large diameter bore holes.
- Maintains Kennametal high standards of quality and performance and yields new levels of performance and productivity.

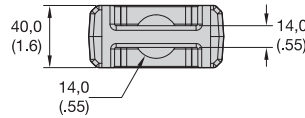
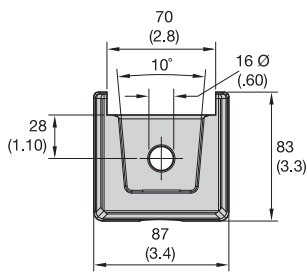




NEW!

■ **KFQH408783NNU1**

| | |
|--------------------------------|---|
| order number 5379399 | catalog number KFQH408783NNU1 |
|--------------------------------|---|



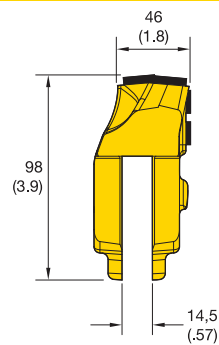
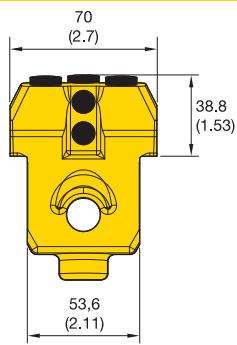
NEW!

■ **KFQH408783NNUC**

| | |
|--------------------------------|---|
| order number 5379510 | catalog number KFQH408783NNUC |
|--------------------------------|---|

■ **Packaging Information**

| weight per piece | | order number | catalog number | container type | pieces per container | container weight (approximate) | |
|------------------|------|--------------|----------------|----------------|----------------------|--------------------------------|------|
| kg | lbs | | | | | kg | lbs |
| 1,18 | 2.60 | 5379399 | KFQH408783NNU1 | box | 10 | 11,8 | 26.0 |
| 1,22 | 2.70 | 5379510 | KFQH408783NNUC | box | 10 | 12,2 | 27.0 |

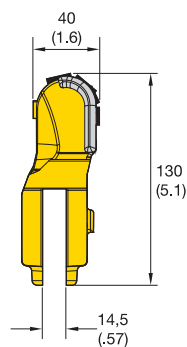
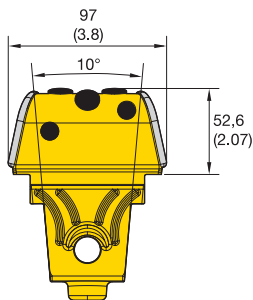


NEW!

■ KFQT407085NNF1

order number
5379511

catalog number
KFQT407085NNF1

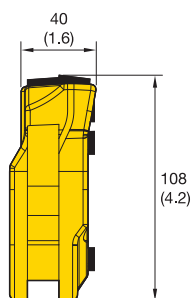
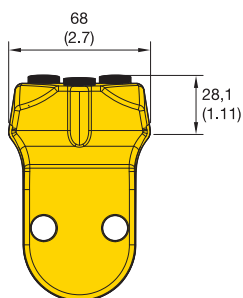


NEW!

■ KFQT407085NNFC

order number
5379512

catalog number
KFQT407085NNFC



NEW!

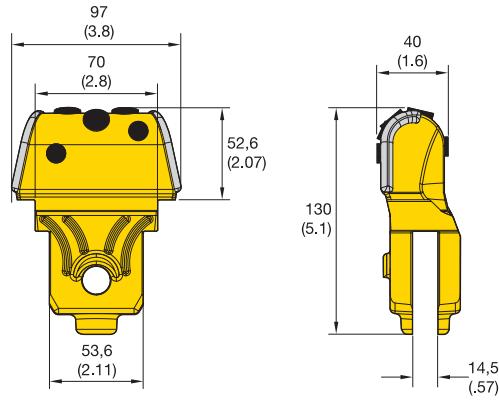
■ KFQT4070110NNF

order number
5379513

catalog number
KFQT4070110NNF

■ Packaging Information

| weight per piece | | order number | catalog number | container type | pieces per container | container weight (approximate) | |
|------------------|------|--------------|----------------|----------------|----------------------|--------------------------------|------|
| kg | lbs | | | | | kg | lbs |
| 1,17 | 2.58 | 5379511 | KFQT407085NNF1 | box | 10 | 11,7 | 25.8 |
| 1,80 | 3.96 | 5379512 | KFQT407085NNFC | box | 10 | 18,0 | 39.6 |
| 1,30 | 2.87 | 5379513 | KFQT4070110NNF | box | 10 | 13,0 | 28.7 |

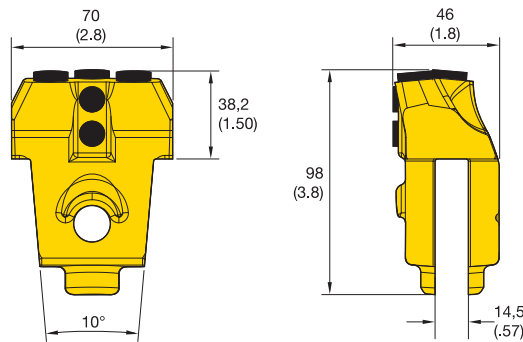


NEW!

■ KFQT4395130NNR

order number
5379514

catalog number
KFQT4395130NNR

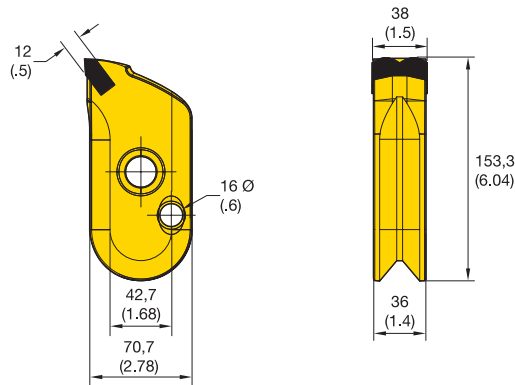


NEW!

■ KFQT4395130NNRC

order number
5379515

catalog number
KFQT4395130NNRC



NEW!

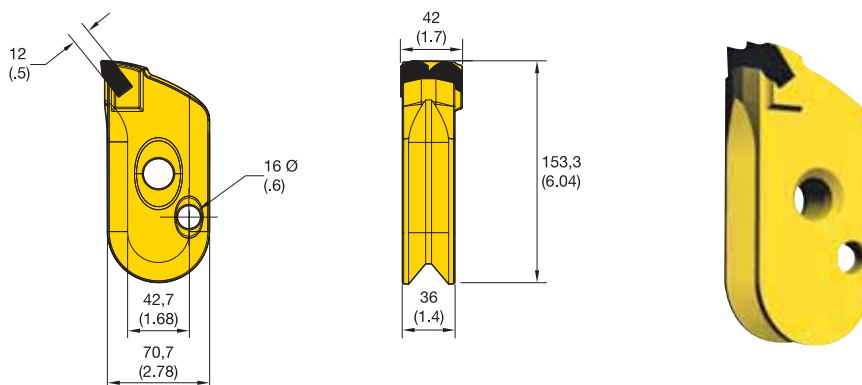
■ KFWC3870153NNSD

order number
5379516

catalog number
KFWC3870153NNSD

■ Packaging Information

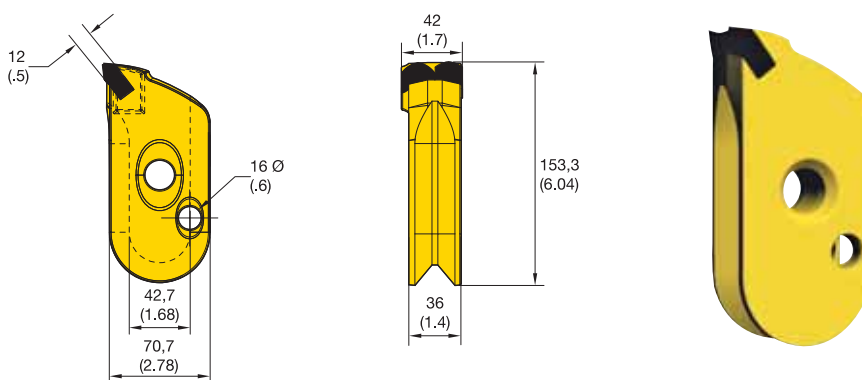
| weight per piece | | order number | catalog number | container type | pieces per container | container weight (approximate) | |
|------------------|------|--------------|-----------------|----------------|----------------------|--------------------------------|------|
| kg | lbs | | | | | kg | lbs |
| 1,13 | 2.50 | 5379514 | KFQT4395130NNR | box | 10 | 11,3 | 25.0 |
| 1,83 | 4.03 | 5379515 | KFQT4395130NNRC | box | 10 | 18,3 | 40.3 |
| 2,10 | 4.62 | 5379516 | KFWC3870153NNSD | box | 5 | 10,5 | 23.1 |



NEW!

■ KFWC4270153RNSD

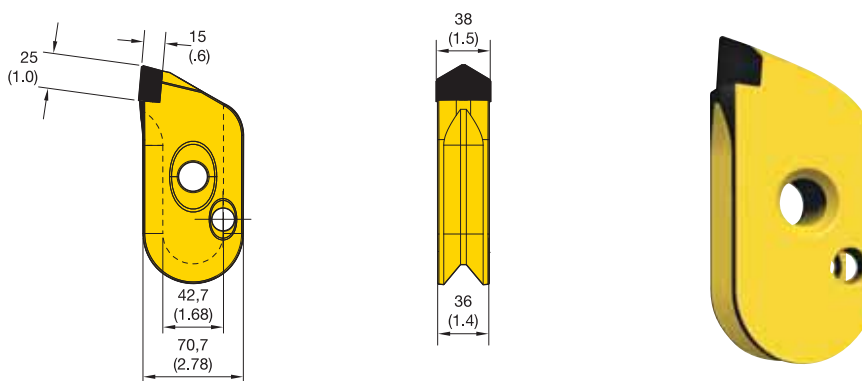
| | |
|--------------|-----------------|
| order number | catalog number |
| 5379517 | KFWC4270153RNSD |



NEW!

■ KFWC4270153LNSD

| | |
|--------------|-----------------|
| order number | catalog number |
| 5379518 | KFWC4270153LNSD |



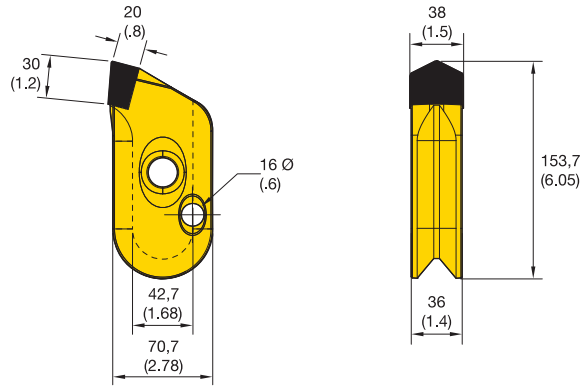
NEW!

■ KFWC3870153NNSS1

| | |
|--------------|------------------|
| order number | catalog number |
| 5379519 | KFWC3870153NNSS1 |

■ Packaging Information

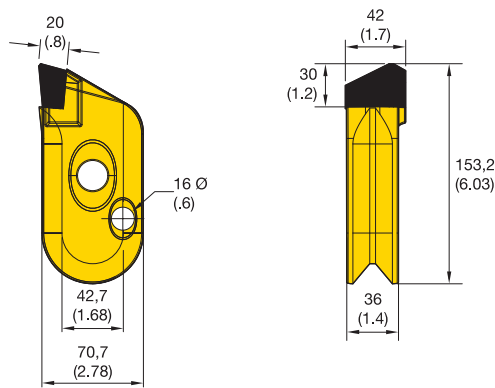
| weight per piece | | order number | catalog number | container type | pieces per container | container weight (approximate) | |
|------------------|------|--------------|------------------|----------------|----------------------|--------------------------------|------|
| kg | lbs | | | | | kg | lbs |
| 2,12 | 4.67 | 5379517 | KFWC4270153RNSD | box | 5 | 10,6 | 23.4 |
| 2,12 | 4.67 | 5379518 | KFWC4270153LNSD | box | 5 | 10,6 | 23.4 |
| 2,01 | 4.43 | 5379519 | KFWC3870153NNSS1 | box | 5 | 10,0 | 22.2 |



NEW!

KFWC3870153NNSS2

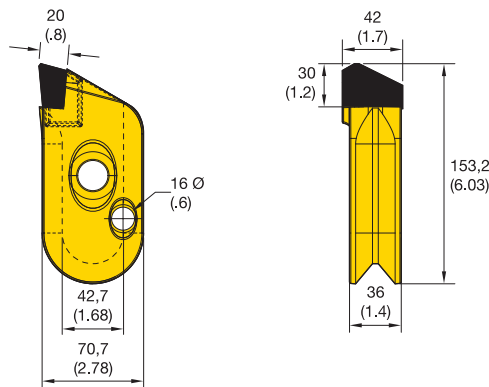
| | |
|---------------------|-----------------------|
| order number | catalog number |
| 5379520 | KFWC3870153NNSS2 |



NEW!

KFWC4270153RNSS

| | |
|---------------------|-----------------------|
| order number | catalog number |
| 5379521 | KFWC4270153RNSS |



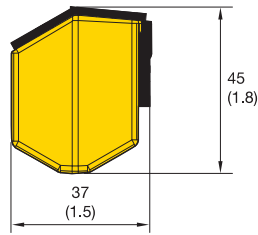
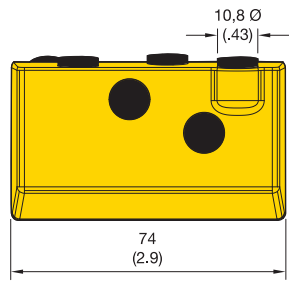
NEW!

KFWC4270153LNSS

| | |
|---------------------|-----------------------|
| order number | catalog number |
| 5379522 | KFWC4270153LNSS |

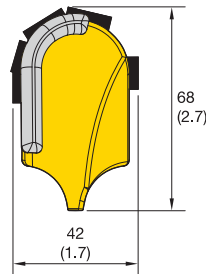
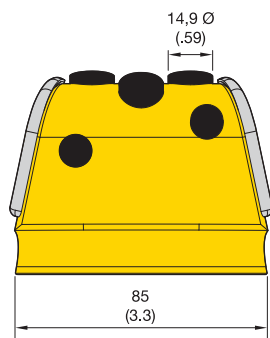
Packaging Information

| weight per piece | | order number | catalog number | container type | pieces per container | container weight (approximate) | |
|------------------|------|--------------|------------------|----------------|----------------------|--------------------------------|------|
| kg | lbs | | | | | kg | lbs |
| 2,05 | 4,52 | 5379520 | KFWC3870153NNSS2 | box | 5 | 10,3 | 22,6 |
| 2,05 | 4,51 | 5379521 | KFWC4270153RNSS | box | 5 | 10,2 | 22,6 |
| 2,05 | 4,51 | 5379522 | KFWC4270153LNSS | box | 5 | 10,2 | 22,6 |



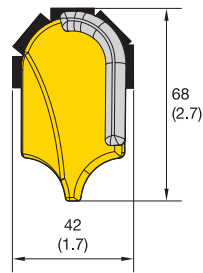
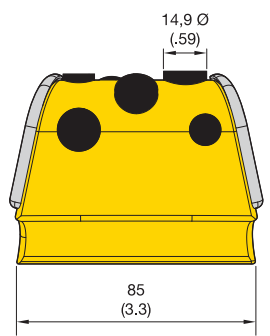
■ KFWB377347NNF

| | |
|--------------|----------------|
| order number | catalog number |
| 5379523 | KFWB377347NNF |



■ KFWB429366NNR6

| | |
|--------------|----------------|
| order number | catalog number |
| 5379524 | KFWB429366NNR6 |

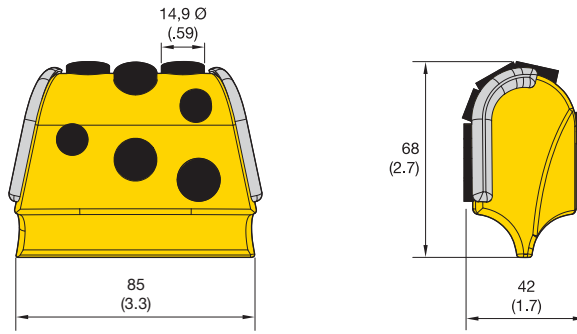


■ KFWB429366NNR7

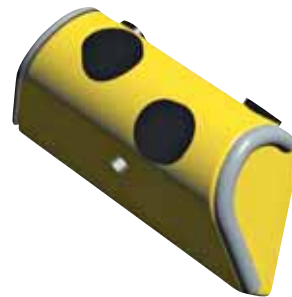
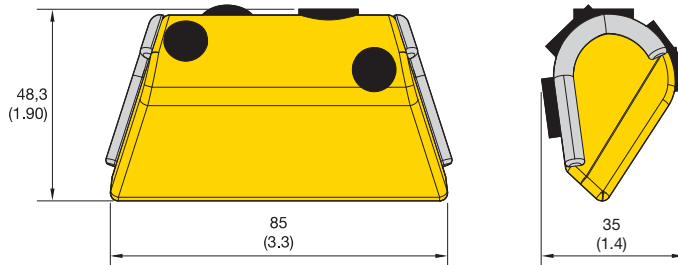
| | |
|--------------|----------------|
| order number | catalog number |
| 5379525 | KFWB429366NNR7 |

■ Packaging Information

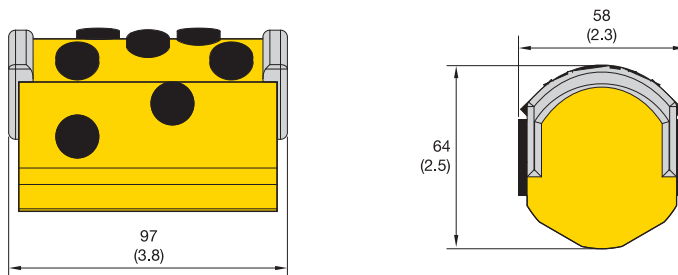
| weight per piece | | order number | catalog number | container type | pieces per container | container weight (approximate) | |
|------------------|------|--------------|----------------|----------------|----------------------|--------------------------------|------|
| kg | lbs | | | | | kg | lbs |
| 0,77 | 1.69 | 5379523 | KFWB377347NNF | box | 20 | 15,3 | 33.8 |
| 1,01 | 2.22 | 5379524 | KFWB429366NNR6 | box | 15 | 15,1 | 33.3 |
| 1,03 | 2.26 | 5379525 | KFWB429366NNR7 | box | 15 | 15,4 | 33.9 |

NEW!

KFWB429366NNR8

| | |
|-------------------------|----------------------------------|
| order number 5379526 | catalog number KFWB429366NNR8 |
|-------------------------|----------------------------------|

NEW!

KFWB359048NNR

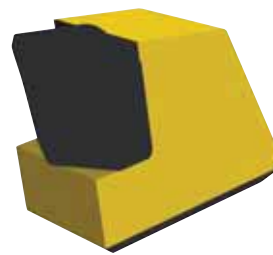
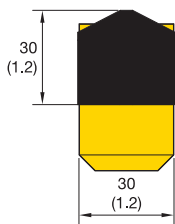
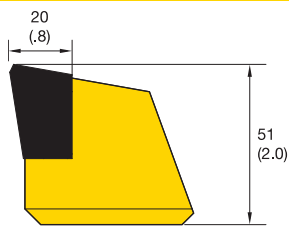
| | |
|-------------------------|---------------------------------|
| order number 5379527 | catalog number KFWB359048NNR |
|-------------------------|---------------------------------|

NEW!

KFWB589366NNR

| | |
|-------------------------|---------------------------------|
| order number 5379528 | catalog number KFWB589366NNR |
|-------------------------|---------------------------------|

Packaging Information

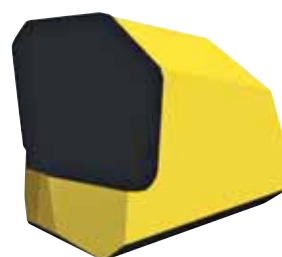
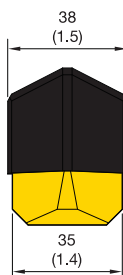
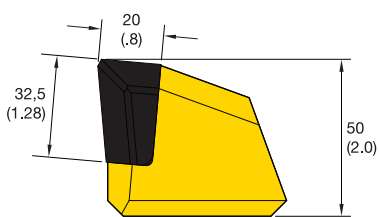
| weight per piece | | order number | catalog number | container type | pieces per container | container weight (approximate) | |
|------------------|------|--------------|----------------|----------------|----------------------|--------------------------------|------|
| kg | lbs | | | | | kg | lbs |
| 1,05 | 2.31 | 5379526 | KFWB429366NNR8 | box | 15 | 15,7 | 34.7 |
| 0,64 | 1.42 | 5379527 | KFWB359048NNR | box | 25 | 16,1 | 35.5 |
| 2,15 | 4.75 | 5379528 | KFWB589366NNR | box | 8 | 17,2 | 38.0 |



NEW!

■ **KFWT316050NNS**

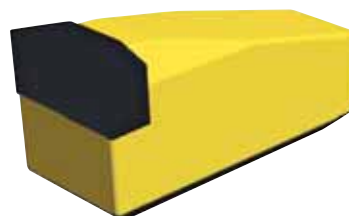
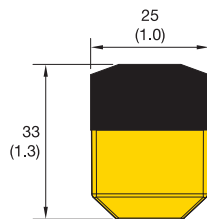
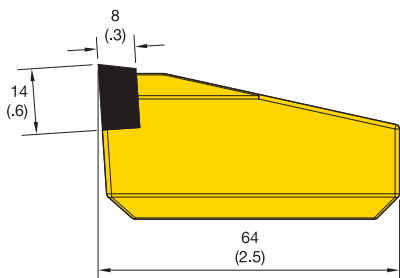
| | |
|--------------------------------|--|
| order number 5379529 | catalog number KFWT316050NNS |
|--------------------------------|--|



NEW!

■ **KFWT386050NNS**

| | |
|--------------------------------|--|
| order number 5379530 | catalog number KFWT386050NNS |
|--------------------------------|--|



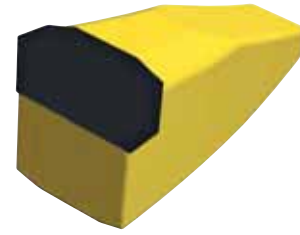
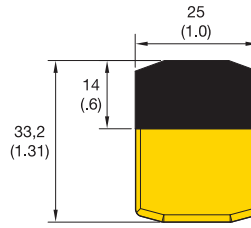
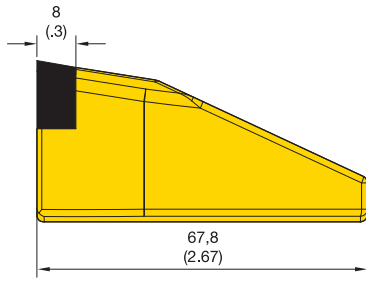
NEW!

■ **KFWT256434NNF**

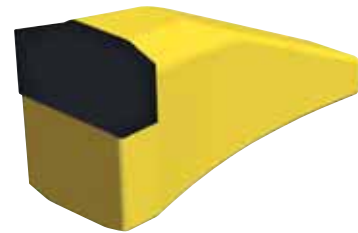
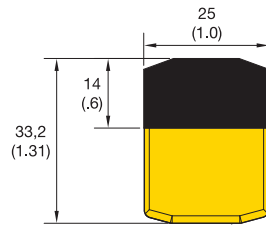
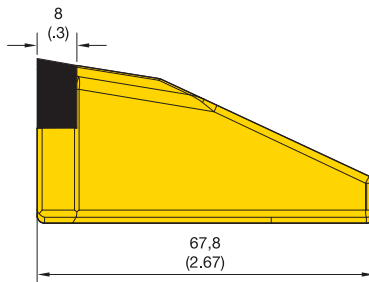
| | |
|--------------------------------|--|
| order number 5379531 | catalog number KFWT256434NNF |
|--------------------------------|--|

■ **Packaging Information**

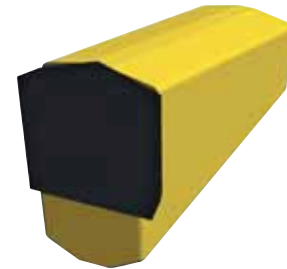
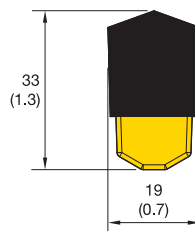
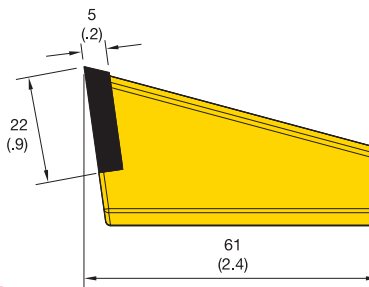
| weight per piece | | order number | catalog number | container type | pieces per container | container weight (approximate) | |
|------------------|------|--------------|----------------|----------------|----------------------|--------------------------------|------|
| kg | lbs | | | | | kg | lbs |
| 0,56 | 1.24 | 5379529 | KFWT316050NNS | box | 15 | 8,4 | 18.6 |
| 0,65 | 1.43 | 5379530 | KFWT386050NNS | box | 15 | 9,7 | 21.5 |
| 0,29 | 0.63 | 5379531 | KFWT256434NNF | box | 50 | 14,3 | 31.6 |


NEW!
KFWT25R34LNF

| | |
|--------------|----------------|
| order number | catalog number |
| 5379532 | KFWT25R34LNF |


NEW!
KFWT25R34RNS

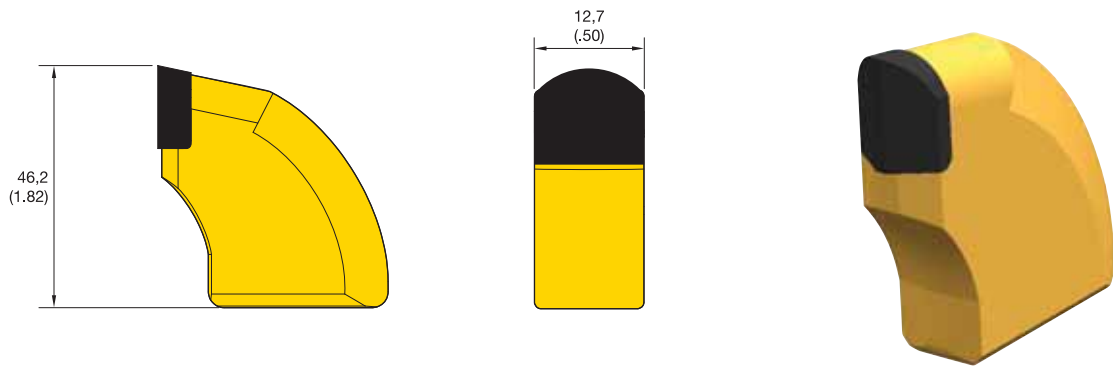
| | |
|--------------|----------------|
| order number | catalog number |
| 5379533 | KFWT25R34RNS |


NEW!
KFWT196033NNF

| | |
|--------------|----------------|
| order number | catalog number |
| 5379534 | KFWT196033NNF |

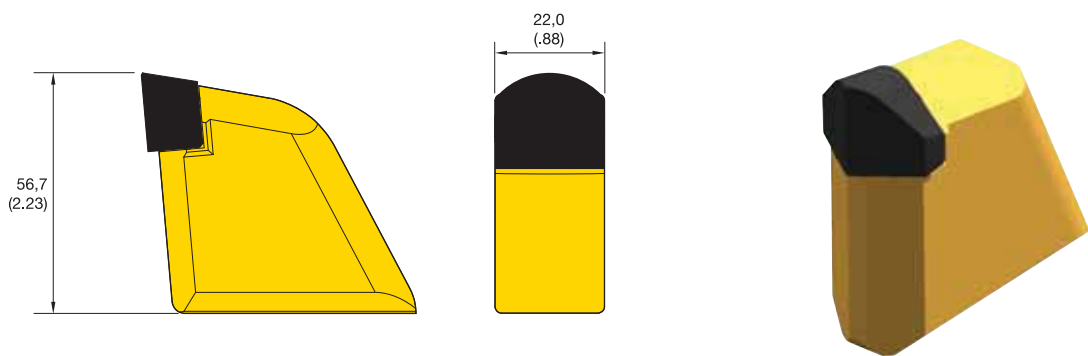
Packaging Information

| weight per piece | | order number | catalog number | container type | pieces per container | container weight (approximate) | |
|------------------|------|--------------|----------------|----------------|----------------------|--------------------------------|------|
| kg | lbs | | | | | kg | lbs |
| 0,26 | 0,58 | 5379532 | KFWT25R34LNF | box | 50 | 13,1 | 28,9 |
| 0,26 | 0,58 | 5379533 | KFWT25R34RNS | box | 50 | 13,1 | 28,9 |
| 0,16 | 0,36 | 5379534 | KFWT196033NNF | box | 50 | 8,1 | 17,8 |



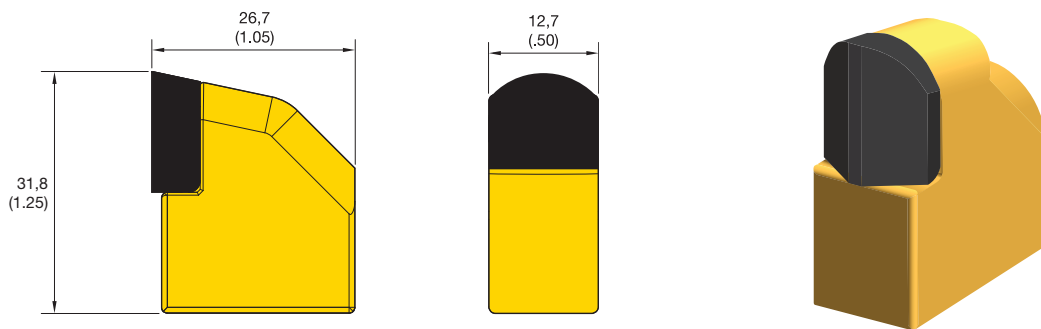
DT50

| | |
|--------------|----------------|
| order number | catalog number |
| 1086101 | DT50 |



DT87

| | |
|--------------|----------------|
| order number | catalog number |
| 1086378 | DT87 TOOTH |

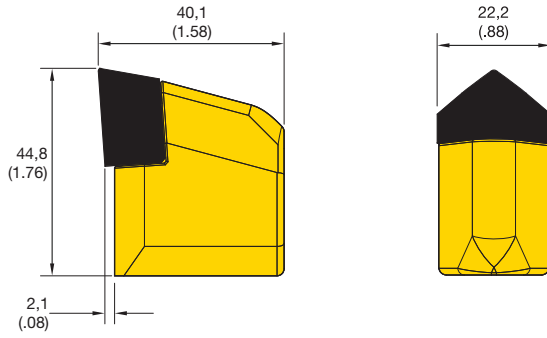


RT1

| | |
|--------------|----------------|
| order number | catalog number |
| 1784646 | RT1 |

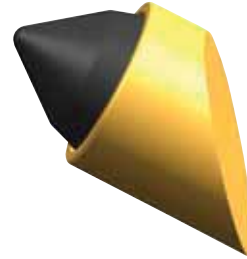
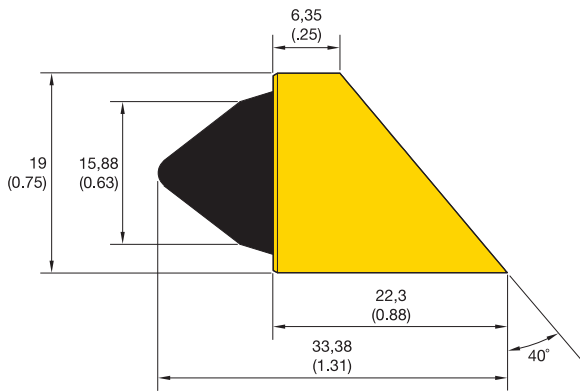
Packaging Information

| weight per piece | | order number | catalog number | container type | pieces per container | container weight (approximate) | |
|------------------|------|--------------|----------------|----------------|----------------------|--------------------------------|------|
| kg | lbs | | | | | kg | lbs |
| 0,12 | 0,27 | 1086101 | DT50 | bucket | 150 | 18,3 | 40,3 |
| 0,35 | 0,78 | 1086378 | DT87 TOOTH | bucket | 50 | 17,7 | 39,0 |
| 0,07 | 0,16 | 1784646 | RT1 | bucket | 200 | 14,1 | 31,1 |



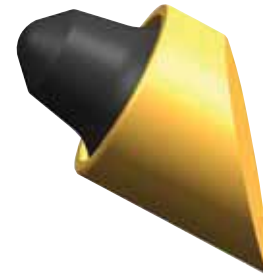
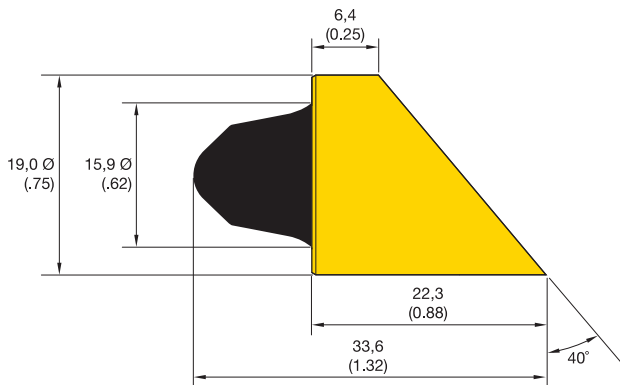
■ RT2

| | |
|--------------|----------------|
| order number | catalog number |
| 1844257 | RT2 |



■ BR1

| | |
|--------------|----------------|
| order number | catalog number |
| 1800063 | BR1 |

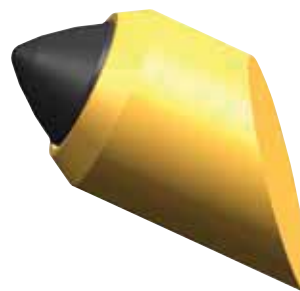
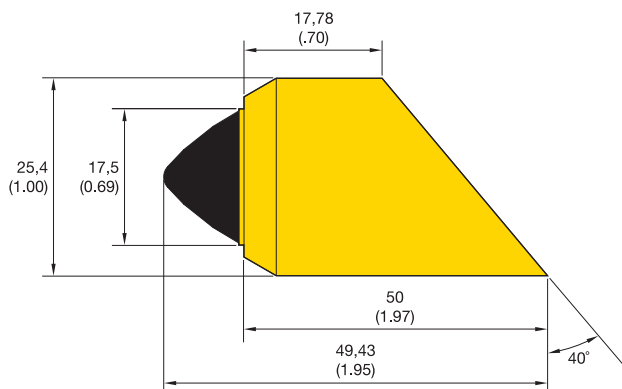


■ BR2

| | |
|--------------|----------------|
| order number | catalog number |
| 1858633 | BR2 |

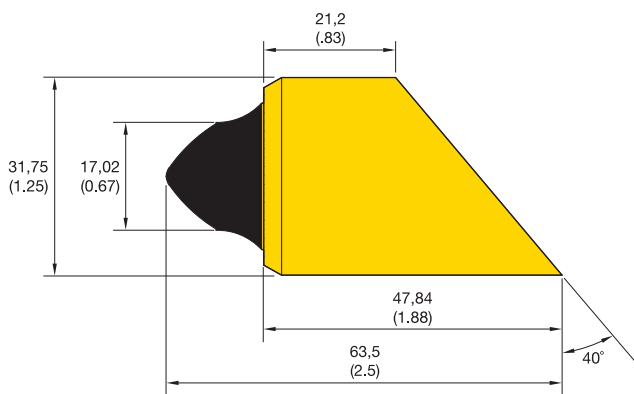
■ Packaging Information

| weight per piece | | order number | catalog number | container type | pieces per container | container weight (approximate) | |
|------------------|------|--------------|----------------|----------------|----------------------|--------------------------------|------|
| kg | lbs | | | | | kg | lbs |
| 0,21 | 0.47 | 1844257 | RT2 | bucket | 100 | 21,4 | 47.3 |
| 0,05 | 0.10 | 1800063 | BR1 | bucket | 300 | 14,1 | 31.0 |
| 0,05 | 0.10 | 1858633 | BR2 | bucket | 300 | 14,1 | 31.0 |



■ BR3

| | |
|--------------|----------------|
| order number | catalog number |
| 1858622 | BR3 |

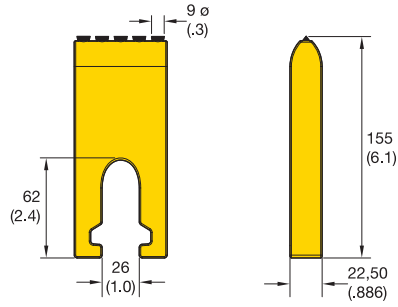


■ BR4

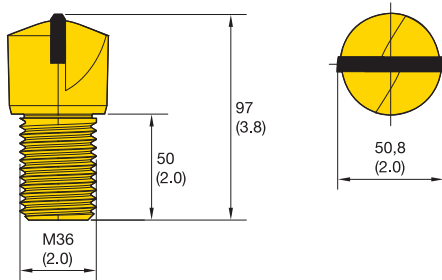
| | |
|--------------|----------------|
| order number | catalog number |
| 1858634 | BR4 |

■ Packaging Information

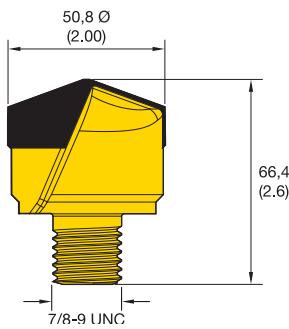
| weight per piece | | order number | catalog number | container type | pieces per container | container weight (approximate) | |
|------------------|------|--------------|----------------|----------------|----------------------|--------------------------------|------|
| kg | lbs | | | | | kg | lbs |
| 0,14 | 0,31 | 1858622 | BR3 | bucket | 150 | 20,9 | 46,0 |
| 0,27 | 0,59 | 1858634 | BR4 | bucket | 80 | 21,5 | 47,4 |


NEW!
KFFT2258155NNS

| | |
|--------------------------------|---|
| order number 5379397 | catalog number KFFT2258155NNS |
|--------------------------------|---|


NEW!
KFPD5097RNM36

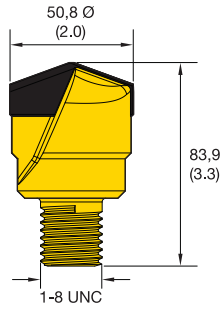
| | |
|--------------------------------|--|
| order number 5379398 | catalog number KFPD5097RNM36 |
|--------------------------------|--|


CP15 7/8-9 UNC

| | |
|--------------------------------|---|
| order number 1324059 | catalog number CP15 7/8-9 UNC |
|--------------------------------|---|

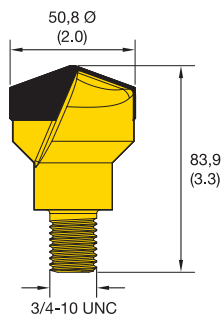
Packaging Information

| weight per piece | | order number | catalog number | container type | pieces per container | container weight (approximate) | |
|------------------|------|--------------|----------------|----------------|----------------------|--------------------------------|------|
| kg | lbs | | | | | kg | lbs |
| 1,42 | 3.14 | 5379397 | KFFT2258155NNS | box | 10 | 14,2 | 31.4 |
| 0,87 | 1.91 | 5379398 | KFPD5097RNM36 | box | 10 | 8,7 | 19.1 |
| 0,49 | 1.08 | 1324059 | CP15 7/8-9 UNC | box | 20 | 0,5 | 1.1 |



■ CP16 1-8 UNC

| | |
|--------------------------------|---------------------------------------|
| order number 1012300 | catalog number CP16 1-8 UNC |
|--------------------------------|---------------------------------------|

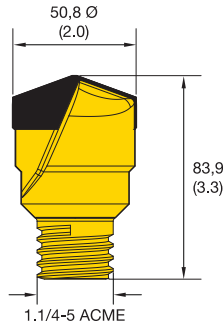


■ CP17 3/4-10 UNC

| | |
|--------------------------------|--|
| order number 1012301 | catalog number CP17 3/4-10 UNC |
|--------------------------------|--|

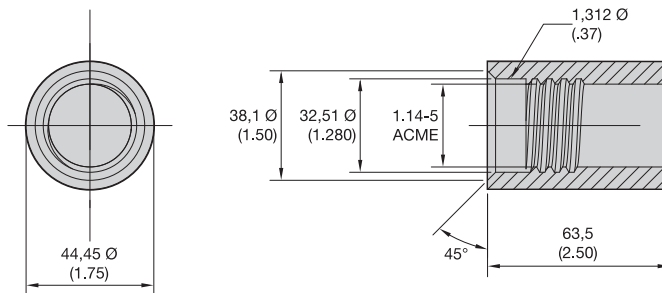
■ Packaging Information

| weight per piece | | order number | catalog number | container type | pieces per container | container weight (approximate) | |
|------------------|------|--------------|-----------------|----------------|----------------------|--------------------------------|-----|
| kg | lbs | | | | | kg | lbs |
| 0,67 | 1.48 | 1012300 | CP16 1-8 UNC | box | 20 | 0,7 | 1.5 |
| 0,53 | 1.16 | 1012301 | CP17 3/4-10 UNC | box | 20 | 0,5 | 1.2 |



■ CP18 1.1/4-5 ACME

| | |
|--------------------------------|--|
| order number 1012304 | catalog number CP18 1.1/4-5 ACME |
|--------------------------------|--|



■ CP18 Holder

| | |
|--------------------------------|--------------------------------------|
| order number 1012287 | catalog number CP18 HOLDER |
|--------------------------------|--------------------------------------|

■ Packaging Information

| weight per piece | | order number | catalog number | container type | pieces per container | container weight (approximate) | |
|------------------|------|--------------|-------------------|----------------|----------------------|--------------------------------|-----|
| kg | lbs | | | | | kg | lbs |
| 0,73 | 1.62 | 1012304 | CP18 1.1/4-5 ACME | box | 20 | 0,7 | 1.6 |
| 0,40 | 0.88 | 1012287 | CP18 HOLDER | box | 20 | 0,0 | 0.0 |

Informational Icons Guide



Insert Type:
Valve Seat



Insert Type:
Narrow Bottom
(NB)



Insert Type:
Cap

SAFETY NOTE

Kennametal has no control over the end use of its products or the environment into which those products are placed. Kennametal urges its customers to adhere to the recommended standards of use of their machines and tools and that they follow procedures that ensure safe operations.

The information included in this catalog and other recommendations on machining practices referred to herein are only advisory in nature and do not constitute representations or warranties and are not necessarily appropriate for any particular work environment or application.

Kennametal Inc. encourages the safe use of its products.

To help avoid personal injury or damage to tools, please follow these recommended guidelines:

- Wear approved personal protection equipment, including eye, ear, head, and foot protection.
- Make sure tools are properly seated and securely retained.
- Do not strike tools with metal objects. Carbide tips could shatter.
- Exercise care when removing tools.
- Inspect tools before each use. If they are dull, cracked, burred, or bent, do not use them.
- Operate all machines within the OEM parameters and with safety in mind. Stand clear of machines in use and make sure protective guards are in place.
- Do not change tools when the drum is moving or still engaged.





Argentina

Phone: 54.11.4719.0700

Fax: 54.11.4719.6116

Australia/New Zealand

Phone: 61.7.3801.5844

Fax: 61.7.3801.5826

k-sydn.service@kennametal.com

Brazil/Latin America

Phone: 55.19.3936.9200

Fax: 55.19.3936.9201

bra.marketing@kennametal.com

Chile

Phone: 56.2.2641177

Fax: 001.888.442.4964

China

Phone: 86.400.650.1388

Fax: 86.10.8561.5263

k-cn-earthwork.service@kennametal.com

Germany/European Served Area

Phone: 49.6172.737.498

Fax: 49.6172.737.42.453

mcs-ag.service@kennametal.com

India

Phone: 91.80.2839.4321

Phone: 91.80.2219.8444

Fax: 91.80.2839.1300

Japan

Phone: 81.3.3820.2855

Fax: 81.3.3820.2800

k-jp.service@kennametal.com

Korea

Phone: 82.2.2109.6100

Fax: 82.2.2109.6981

Malaysia

Phone: 6.03.5569.9080

Fax: 6.03.5569.0080

Poland/Slovakia/Baltics

Phone: 48.61.665.6520

Fax: 48.61.665.6521

zory.orders@kennametal.com

South Africa/Sub Saharan Area

Phone: 27.11397.3540

Fax: 27.11397.3222

Singapore/Vietnam/Philippines/Indonesia

Phone: 65.6265.9222

Fax: 65.6861.0922

k-sg.sales@kennametal.com

Thailand

Phone: 66.2642.3455

Fax: 66.2641.2736-8

United States/Canada/Mexico

Phone: 800.458.3608

Fax: 800.521.3319

mcs-na.service@kennametal.com

World and Corporate Headquarters

Kennametal Inc.
1600 Technology Way
Latrobe, PA 15650 USA
Phone: 800.446.7738 (United States and Canada)
E-mail: info@kennametal.com

European Headquarters

Kennametal Europe GmbH
Rheingoldstrasse 50
CH 8212 Neuhausen am Rheinfall
Switzerland
Phone: (41) 52.6750.100
E-mail: neuhausen.info@kennametal.com

Asia-Pacific Headquarters

Kennametal (Singapore) Pte. Ltd.
3A International Business Park
Unit #01-02/03/05, ICON@IBP
Singapore 609935
Phone: 65.6265.9222
E-mail: k-sg.sales@kennametal.com

India Headquarters

Kennametal India Limited
8/9th Mile, Tumkur Road
Bangalore - 560 073
Phone: +91 (80) 2839 4321
E-mail: bangalore.information@kennametal.com

